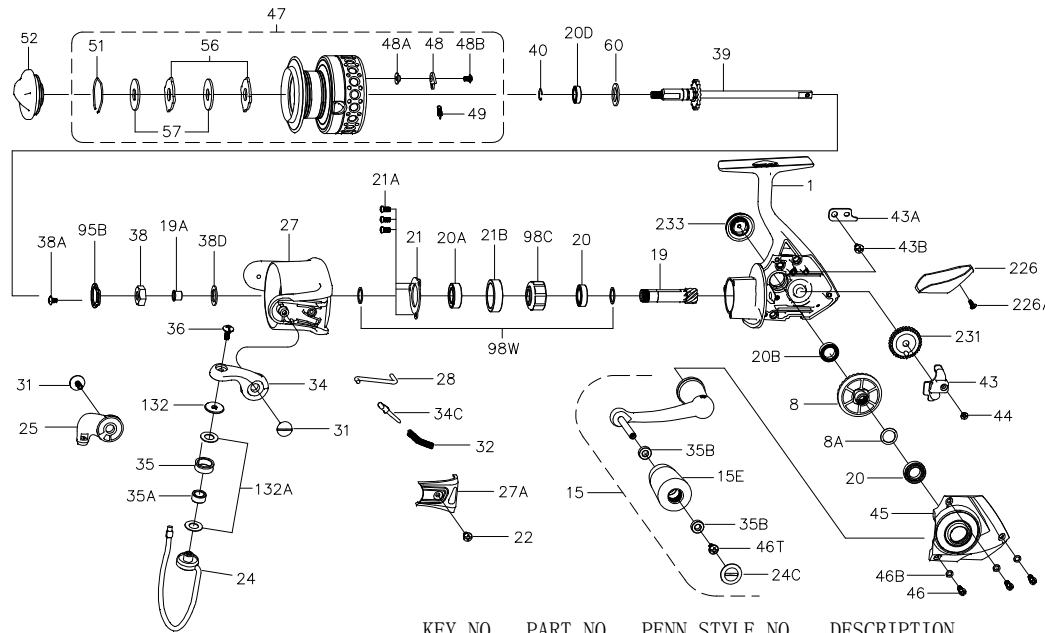




**PARTS LIST FOR MODEL PAS4000**



KEY NO.	PART NO.	PENN STYLE NO.	DESCRIPTION
1	1450267	1-PAS4000	Housing Assembly
8	1450254	8-PAS3000	Main Gear
8A	1191028	8A-3000SG	Shim
15	1450262	15-PAS3000	Handle Assembly
15E	1451515	15E-PAS3000	Handle Knob
19	1450263	19-PAS3000	Pinion Gear
19A	1191252	19A-3000SG	Pinion Bushing
20	1308050	20-CFT3000	Ball Bearing (2 req)
20A	1308051	20A-CFT3000	Upper Pinion Ball Bearing
20B	1211610	20D-5000BTL	Ball Bearing
20D	1211588	20D-3000BTL	Spool Ball Bearing
21	1308052	21-CFT3000	Bearing Retainer
21A	1192644	21A-3000SG	Bearing Retainer Screw (3 req)
21B	1308053	21B-CFT3000	Collar
22	1251743	22-1000FRC	Bail Pivot Cover Screw
24	1308055	24-CFT4000	Bail Wire
24C	1316409	24C-CFT2000	Handle Knob Cap
25	1308056	25-CFT3000	Bail Holder
27	1450268	27-PAS4000	Rotor

407-PAS4000 Rev. 0 02-17-17

1422315

KEY NO.	PART NO.	PENN STYLE NO.	DESCRIPTION
27A	1308060	27A-CFT4000	Bail Pivot Cover
28	1308062	28-CFT4000	Trip Lever
31	1308063	31-CFT3000	Bail Arm Screw (2 req)
32	1191586	32-3000SG	Bail Spring
34	1308064	34-CFT3000	Bail Arm
34C	1308065	34C-CFT3000	Pivot Arm
35	1324170	35-BTLII4000	Line Roller
35A	1308067	35A-CFT3000	Line Roller Bushing
35B	1451517	35B-PAS3000	Bushing (2 req)
36	1191699	36-3000SG	Bail Stud Screw
38	1191728	38-3000SG	Rotor Nut
38A	1308069	38A-CFT3000	Rotor Locking Plate Screw
38D	1308070	38D-CFT3000	Rotor Nut Washer
39	1308072	39-CFT4000	Main Shaft Assembly
40	1308073	40-CFT3000	Bearing Lock Spring
43	1200531	43-4000SG	Crosswind Block
43A	1191818	43A-3000SG	Crosswind Block Plate
43B	1191826	43B-3000SG	Crosswind Block Plate Screw
44	1191843	44-3000SG	Crosswind Block Screw
45	1450269	45-PAS4000	Housing Cover Assembly
46	1191901	46-3000SG	Housing Cover Screw (3 req)
46B	1191907	46B-3000SG	Housing Cover Washer (3 req)
46T	1316411	46T-CFT2000	Screw
47	1450270	47-PAS4000	Spool Assembly
48	1211604	48-3000SG	Click Tongue
48A	1214226	48A-3000SG	Click Tongue Washer
48B	1214189	48B-3000SG	Spool Click Screw
49	1211605	49-3000SG	Click Tongue Spring
51	1308078	51-CFT3000	Drag Retaining Ring
52	1308079	52-CFT3000	Drag Knob Assembly
56	1308080	56-CFT3000	Drag Washer (2 req)
57	1192043	57-3000SG	Keyed Washer (2 req)
60	1192060	60-3000SG	Thrust Washer
95B	1308081	95B-CFT3000	Rotor Locking Plate
98C	1308082	98C-CFT3000	Clutch/Sleeve Assembly
98W	1204004	98W-3000PUR	Clutch Washer (2 req)
132	1192296	132-3000SG	Roller Washer
132A	1192302	132A-3000SG	Line Roller Washer (2 req)
226	1308083	226-CFT3000	Rear Cover
226A	1192473	226A-3000SG	Rear Cover Screw
231	1200522	231-4000SG	Crosswind Gear
233	1308084	233-CFT3000	Bearing Cover Assembly